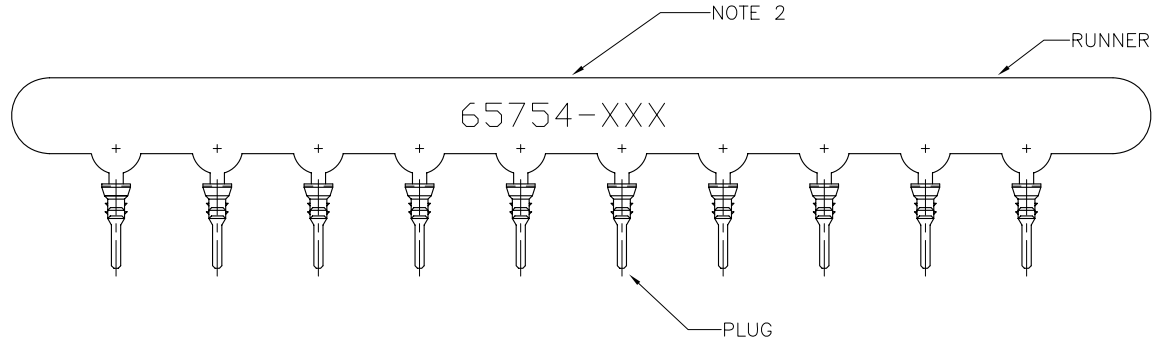


Tous droits strictement reserves. Reproduction ou communication a des tiers interitee sous quelque forme que ce soit sans autorisation ecrite du proprietaire. Propriete de c FCI. Droits de reproduction FCI.

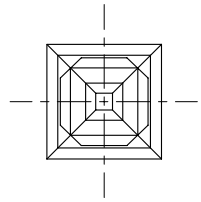
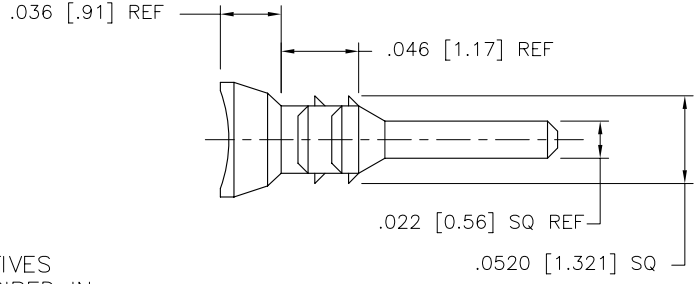
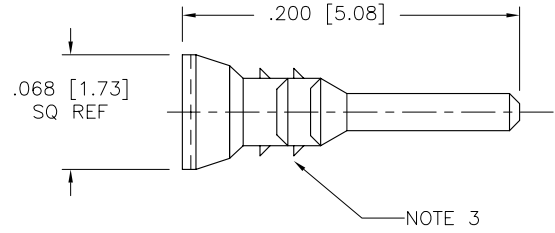
All rights strictly reserved. Reproduction or issue to third parties in any form whatever is not permitted without written authority from the proprietor. Property of FCI. Copyright FCI.

PRODUCT NO
65754-001
65754-001LF



NOTES:

- ① MATERIAL: NYLON.
- ② MOLDED INTO GROUPS OF 10 ATTACHED TO RUNNER.
- ③ SERRATED LOCKING SURFACES.
4. MATES WITH ALL BERGCON HORZI. CARD CONNECTORS.
5. PRESS PLUG INTO PIN LEAD-**IN** OF CONNECTOR HOUSING AND BREAK OFF RUNNER.
6. THIS PRODUCT MEETS EUROPEAN UNION DIRECTIVES AND OTHER COUNTRY REQUIREMENTS AS DESCRIBED IN GS-22-004.
7. ADD SUFFIX LF TO END OF PART NUMBER FOR LEAD FREE OPTION.
8. THIS PRODUCT WILL WITHSTAND 260° C PEAK TEMPERATURE FOR 10 SECONDS IN A WAVE SOLDER PROCESS.



mat'l. code				tolerances unless otherwise specified			CUSTOMER COPY		Electronics www.fciconnect.com	
NOTE 1									title	
ltr	ecn no	dr	date	linear	.XX ±.01/.X±.3	projection		BERGCON HORIZ. CARD CONN. PLARIZING PLUG		
A	V02961	MDF	1/12/01		.XXX ±.005/.XX±.13			product family		CARD CONN.
B	V06-0049	DAI	02/08/06	angles	.XXX ±.0020/.XXX±.051	INCH/MM		code		213
				dr	0° ±5°	scale		size		sheet
				engr	M. FETROW 1/12/01	10:1		A		65754
				chr	H. SUNDY 1/12/01			cage code		22526
				appd	H. SUNDY 1/12/01			STATUS:		Released
sheet index	revision sheet	B	1							4